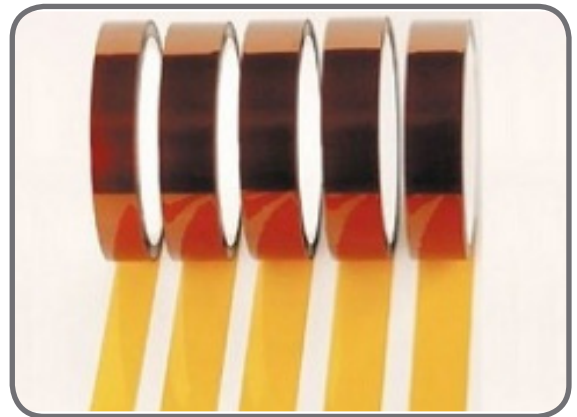
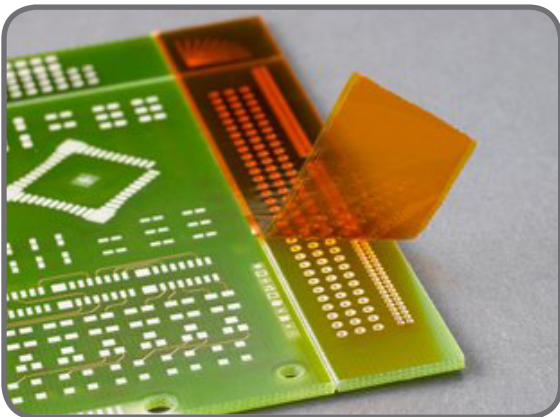
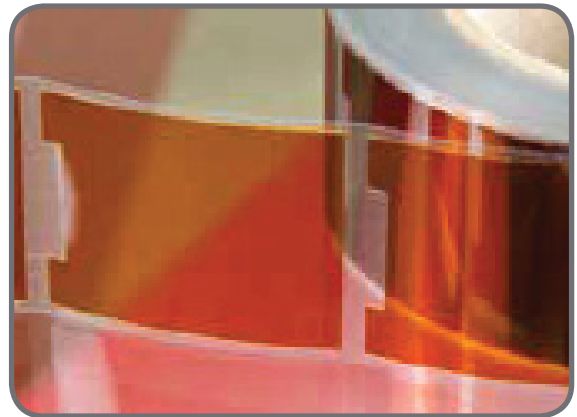
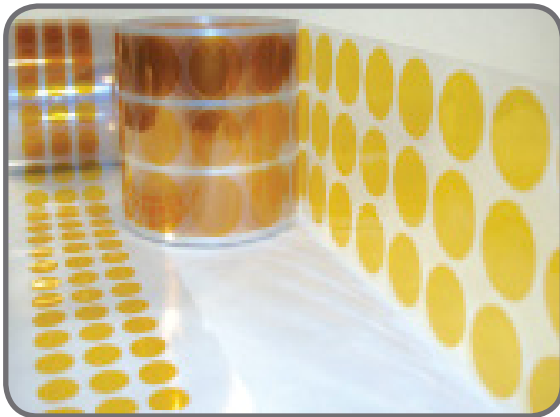


DCP™



Labels for Life.

STOCK DIE-CUT MASKING PRODUCTS For The Electronics Industry



www.identco.com

IDENTCO partners with industrial, transportation, and electronics customers across the globe to develop high performance labeling solutions that outlast the products they identify. We have a singular focus: labeling solutions. Adopting this singular focus has allowed us to develop and refine our processes over the past 30 years, and become leaders in collaborative, technology driven solutions.

IDENTCO TTP™ solutions offer optimal labels, ribbons, and equipment for your company's on-demand identification needs.

DCP™ – DIE CUT PRODUCTS

- Protective Masks & Lenses
- Adhesives & Bonding
- Insulators
- Custom Engineered Products



CPP™ – CUSTOM PRINTED PRODUCTS

- Brand Recognition Labels
- Graphic Overlays
- **UL / CSA** Nameplates
- Information & Instructional Labels
- Security & Anti-Counterfeiting Labels



TTP™ – THERMAL TRANSFER PRODUCTS

- Stock Blank Labels
- Custom Blank and Pre-printed Labels
- Labels for Automatic Placement Equipment
- Thermal Transfer Ribbons
- Thermal Transfer Printers & Label Software
- Scanners, Rewinders, Dispensers, & SMT Label Feeders



WMP™ – WIRE MARKING PRODUCTS

- Heat Shrink Sleeves (formatted and continuous)
- Self-laminating Cable Identification Labels
- Print-protected Labels
- Flag Wire Markers



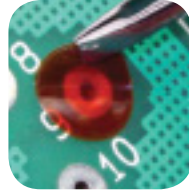
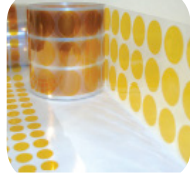
DCP PRODUCT PORTFOLIO 1000-103-0417

DCP™

STOCK DIE-CUT PRODUCTS



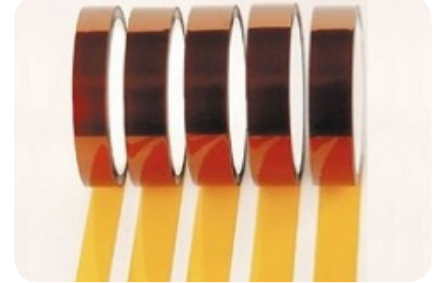
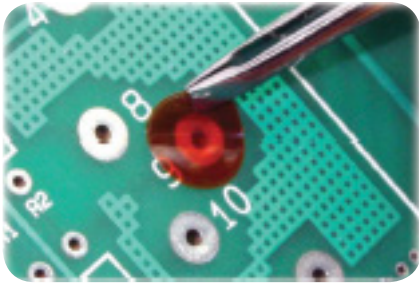
Labels for Life.



Polyimide Masks	1
Polyimide Masking Part Numbers	2-5
Stock Round Size Description	6
Stock Round Auto-Apply Size Description	7
Stock Square Size Description	8
Stock Square Auto-Apply Size Description	9

Polyimide Masks

POLYIMIDE MASKING PRODUCTS



Product Description:

PT Polyimide Discs are a high temperature film with silicone adhesive that is used for thermal and electrical insulation. The silicone adhesive has excellent release properties. Discs are provided on a liner and supplied on a core or REEL-e™ for auto apply applications.

Available Materials:

- PT100 - 1.0 mil polyimide film with 1.5 mil high temperature removable silicone adhesive supplied on a 3.0 mil clear polyester liner
- PT152 - 1.0 mil polyimide tape with 1.5 mil high temperature removable silicone adhesive and is self wound.
- PT252 - 2.0 mil polyimide tape with 1.5 mil high temperature removable silicone adhesive and is self wound.
- PT200 - 2.0 mil polyimide film with 1.5 mil high temperature removable silicone adhesive supplied on a 2 mil clear polyester liner.
- PT205HD - 5.0 mil polyimide film with 1.5 mil high temperature removable silicone adhesive supplied on a 2.0 mil clear polyester liner.
- PT625FR - 2.0 mil polyimide flame retardent film with 1.0 mil high temperature removable silicone adhesive supplied on a 3.0 mil SCK liner.
- PT626ESD - 1.0 mil polyimide static dissipative film with 1.2 mil removable silicone adhesive supplied on a 2.2 mil SCK liner.



Recommended for:

Masking circuit boards, wave solder masking, and electrical insulation.

Temperature Range:

Maximum Temperature: range of up to 500 oF (260 oC).

Supply Options:

Polyimide masks are available in 1-across for auto apply, multiple across for hand apply, and in continuous rolls supplied in various widths.

Custom Options:

All stock polyimide products are also available in custom shapes and sizes and are supplied in auto apply or hand apply configurations. Please call or email IDENTCO for a quote for your custom requirements. • (800) 533-2559 • sales@identco.com

DCP 1000 Polyimide Masks

DCP 1000 Polyimide Masks

Part Number	Material Number	Mask Size Inches/MM	Quantity Across Roll	Qty Per Roll	Page # for Size	Figure
DCP1100						
DCP1100-R125	PT100	Round 0.125/3.175	5	5000	6	R1
DCP1100-R250	PT100	Round 0.25/6.350	3	5000	6	R2
DCP1100-R375	PT100	Round 0.375/9.525	3	5000	6	R3
DCP1100-R500	PT100	Round 0.5/12.700	2	5000	6	R4
DCP1100-R625	PT100	Round 0.625/15.875	2	2500	6	R5
DCP1100-R750	PT100	Round 0.75/19.050	2	2500	6	R6
DCP1100-R875	PT100	Round 0.875/22.225	2	2500	6	R7
DCP1100-R1000	PT100	Round 1.0/25.400	2	2500	6	R8
DCP1100-S125	PT100	Square 0.125/3.175	5	5000	8	S1
DCP1100-S250	PT100	Square 0.25/6.350	3	5000	8	S2
DCP1100-S375	PT100	Square 0.375/9.525	3	5000	8	S3
DCP1100-S500	PT100	Square 0.5/12.700	2	5000	8	S4
DCP1100-S625	PT100	Square 0.625/15.875	2	2500	8	S5
DCP1100-S750	PT100	Square 0.75/19.050	2	2500	8	S6
DCP1100-S875	PT100	Square 0.875/22.225	2	2500	8	S7
DCP1100-S1000	PT100	Square 1.0/25.400	2	2500	8	S8
DCP1152-L0125	PT152	0.125/3.175 self wound roll	1	36 yards		
DCP1152-L0250	PT152	0.25/6.350 self wound roll	1	36 yards		
DCP1152-L0375	PT152	0.375/9.525 self wound roll	1	36 yards		
DCP1152-L0500	PT152	0.500/12.70 self wound roll	1	36 yards		
DCP1152-L0750	PT152	0.750 /19.05 self wound roll	1	36 yards		
DCP1152-L1000	PT152	1.0/25.400 self wound roll	1	36 yards		
DCP1252-L0125	PT252	0.125/3.175 self wound roll	1	36 yards		
DCP1252-L0250	PT252	0.25/6.350 self wound roll	1	36 yards		
DCP1252-L0375	PT252	0.375/9.525 self wound roll	1	36 yards		
DCP1252-L0500	PT252	0.500/12.70 self wound roll	1	36 yards		
DCP1252-L0750	PT252	0.750/19.05 self wound roll	1	36 yards		
DCP1252-L1000	PT252	1.0/25.400 self wound roll	1	36 yards		

DCP 1000 Polyimide Masks

DCP 1000 Polyimide Masks

Part Number	Material Number	Mask Size Inches/MM	Quantity Across Roll	Quantity Per Roll	Page # for Size	Figure
DCP1200						
DCP1200-R125	PT200	Round 0.125/3.175	5	5000	6	R1
DCP1200-R250	PT200	Round 0.25/6.350	3	5000	6	R2
DCP1200-R375	PT200	Round 0.375/9.525	3	5000	6	R3
DCP1200-R500	PT200	Round 0.5/12.700	2	5000	6	R4
DCP1200-R625	PT200	Round 0.625/15.875	2	2500	6	R5
DCP1200-R750	PT200	Round 0.75/19.050	2	2500	6	R6
DCP1200-R875	PT200	Round 0.875/22.225	2	2500	6	R7
DCP1200-S125	PT200	Square 0.125/3.175	5	5000	8	S1
DCP1200-S250	PT200	Square 0.25/6.350	3	5000	8	S2
DCP1200-S375	PT200	Square 0.375/9.525	3	5000	8	S3
DCP1200-S500	PT200	Square 0.5/12.700	2	5000	8	S4
DCP1200-S625	PT200	Square 0.625/15.875	2	2500	8	S5
DCP1200-S750	PT200	Square 0.75/19.050	2	2500	8	S6
DCP1200-S875	PT200	Square 0.875/22.225	2	2500	8	S7
DCP1200-S1000	PT200	Square 1.0/25.400	2	2500	8	S8

DCP 1000 Polyimide Masks

DCP 1000 Polyimide Masks

Part Number	Material Number	Mask Size Inches/MM	Quantity Across Roll	Qty Per Roll	Page # for Size	Figure
DCP1205						
DCP1205-R125	PT205HD	Round 0.125/3.175	5	5000	6	R1
DCP1205-R250	PT205HD	Round 0.25/6.350	3	5000	6	R2
DCP1205-R375	PT205HD	Round 0.375/9.525	3	5000	6	R3
DCP1205-R4500	PT205HD	Round 0.5/12.700	2	5000	6	R4
DCP1205-R625	PT205HD	Round 0.625/15.875	2	2500	6	R5
DCP1205-R750	PT205HD	Round 0.75/19.050	2	2500	6	R6
DCP1205-R875	PT205HD	Round 0.875/22.225	2	2500	6	R7
DCP1205-R1000	PT205HD	Round 1.0/25.400	2	2500	6	R8
DCP1205-S						
DCP1205-S125	PT205HD	Square 0.125/3.175	5	5000	8	S1
DCP1205-S250	PT205HD	Square 0.25/6.350	3	5000	8	S2
DCP1205-S375	PT205HD	Square 0.375/9.525	3	5000	8	S3
DCP1205-S500	PT205HD	Square 0.5/12.700	2	5000	8	S4
DCP1205-S625	PT205HD	Square 0.625/15.875	2	2500	8	S5
DCP1205-S750	PT205HD	Square 0.75/19.050	2	2500	8	S6
DCP1205-S875	PT205HD	Square 0.875/22.225	2	2500	8	S7
DCP1205-S1000	PT205HD	Square 1.0/25.400	2	2500	8	S8

DCP 1000 Polyimide Masks (Auto-Apply 1-Across)

Part Number	Material Number	Mask Size Inches/MM	Quantity Across Roll	Qty Per Roll	Page # for Size	Figure
DCP1205						
DCP1205-AR250	PT205HD	Round 0.25/6.350	auto-apply	5000	7	AR2
DCP1205-AR375	PT205HD	Round 0.375/9.525	auto-apply	5000	7	AR3
DCP1205-AR500	PT205HD	Round 0.5/12.700	auto-apply	5000	7	AR4
DCP1205-AR625	PT205HD	Round 0.625/15.875	auto-apply	2500	7	AR5
DCP1205-AR750	PT205HD	Round 0.75/19.050	auto-apply	2500	7	AR6
DCP1205-AR875	PT205HD	Round 0.875/22.225	auto-apply	2500	7	AR7
DCP1205-AR1000	PT205HD	Round 1.0/25.400	auto-apply	2500	7	AR8
DCP1205-A						
DCP1205-A250	PT205HD	Square 0.25/6.350	auto-apply	5000	9	AS2
DCP1205-A375	PT205HD	Square 0.375/9.525	auto-apply	5000	9	AS3
DCP1205-A500	PT205HD	Square 0.5/12.700	auto-apply	2500	9	AS4
DCP1205-A625	PT205HD	Square 0.625/15.875	auto-apply	2500	9	AS5
DCP1205-A750	PT205HD	Square 0.75/19.050	auto-apply	2500	9	AS6
DCP1205-A875	PT205HD	Square 0.875/22.225	auto-apply	2500	9	AS7
DCP1205-A1000	PT205HD	Square 1.0/25.400	auto-apply	2500	9	AS8

DCP 1600 Polyimide Masks

DCP1600 Polyimide Masks With Flame Retardant Rated Adhesive

Part Number	Material Number	Mask Size Inches/MM	Quantity Across Roll	Qty Per Roll	Page # for Size	Figure
DCP1600FR						
DCP1600FR-R125	PT625FR	Round 0.125/3.175	5	5000	6	R1
DCP1600FR-R250	PT625FR	Round 0.25/6.350	3	5000	6	R2
DCP1600FR-R375	PT625FR	Round 0.375/9.525	3	5000	6	R3
DCP1600FR-R500	PT625FR	Round 0.5/12.700	2	5000	6	R4
DCP1600FR-R625	PT625FR	Round 0.625/15.875	2	2500	6	R5
DCP1600FR-R750	PT625FR	Round 0.75/19.050	2	2500	6	R6
DCP1600FR-R875	PT625FR	Round 0.875/22.225	2	2500	6	R7
DCP1600FR-R1000	PT625FR	Round 1.0/25.400	2	2500	6	R8
DCP1600FR-S						
DCP1600FR-S125	PT625FR	Square 0.125/3.175	5	5000	8	S1
DCP1600FR-S250	PT625FR	Square 0.25/6.350	3	5000	8	S2
DCP1600FR-S375	PT625FR	Square 0.375/9.525	3	5000	8	S3
DCP1600FR-S500	PT625FR	Square 0.5/12.700	2	5000	8	S4
DCP1600FR-S625	PT625FR	Square 0.625/15.875	2	2500	8	S5
DCP1600FR-S750	PT625FR	Square 0.75/19.050	2	2500	8	S6
DCP1600FR-S875	PT625FR	Square 0.875/22.225	2	2500	8	S7
DCP1600FR-S1000	PT625FR	Square 1.0/25.400	2	2500	8	S8

DCP 1600 Polyimide Masks, Static Dissipative, ESD Coat with Flame Retardant Rated Adhesive

Part Number	Material Number	Mask Size Inches/MM	Quantity Across Roll	Qty Per Roll	Page # for Size	Figure
DCP1600FR						
DCP1600ESDR125	PT626ESD	Round 0.125/3.175	5	5000	6	R1
DCP1600ESDR250	PT626ESD	Round 0.25/6.350	3	5000	6	R2
DCP1600ESDR375	PT626ESD	Round 0.375/9.525	3	5000	6	R3
DCP1600ESDR500	PT626ESD	Round 0.5/12.700	2	5000	6	R4
DCP1600ESDR625	PT626ESD	Round 0.625/15.875	2	2500	6	R5
DCP1600ESDR750	PT626ESD	Round 0.75/19.050	2	2500	6	R6
DCP1600ESDR875	PT626ESD	Round 0.875/22.225	2	2500	6	R7
DCP1600ESDR1000	PT626ESD	Round 1.0/25.400	2	2500	6	R8
DCP1600ESD-S						
DCP1600ESD-S125	PT626ESD	Square 0.125/3.175	5	5000	8	S1
DCP1600ESD-S250	PT626ESD	Square 0.25/6.350	3	5000	8	S2
DCP1600ESD-S375	PT626ESD	Square 0.375/9.525	3	5000	8	S3
DCP1600ESD-S500	PT626ESD	Square 0.5/12.700	2	5000	8	S4
DCP1600ESD-S625	PT626ESD	Square 0.625/15.875	2	2500	8	S5
DCP1600ESD-S750	PT626ESD	Square 0.75/19.050	2	2500	8	S6
DCP1600ESD-S875	PT626ESD	Square 0.875/22.225	2	2500	8	S7
DCP1600ESD-S1000	PT626ESD	Square 1.0/25.400	2	2500	8	S8

Figure: R1

Edge Trim: 0.0625 in, 1.5875 mm

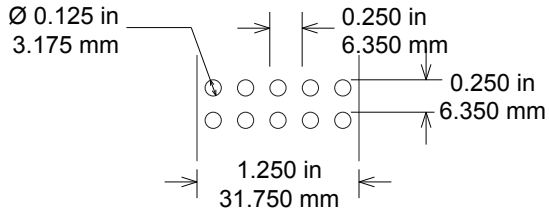


Figure: R2

Edge Trim: 0.0625 in, 1.5875 mm

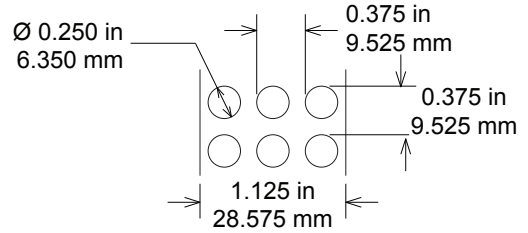


Figure: R3

Edge Trim: 0.0625 in, 1.5875 mm

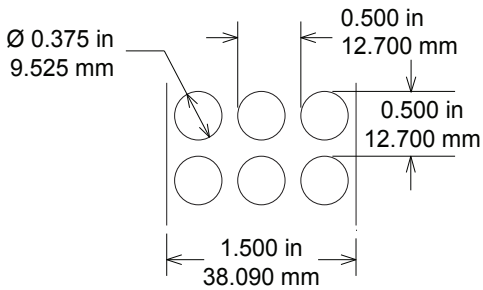


Figure: R4

Edge Trim: 0.0625 in, 1.5875 mm

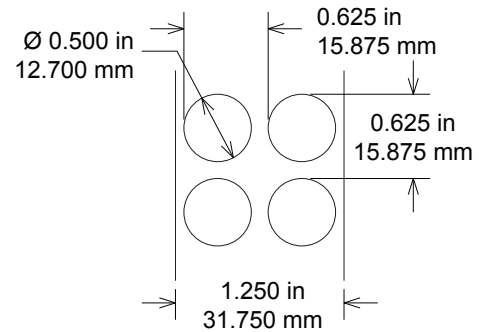


Figure: R5

Edge Trim: 0.0625 in, 1.5875 mm

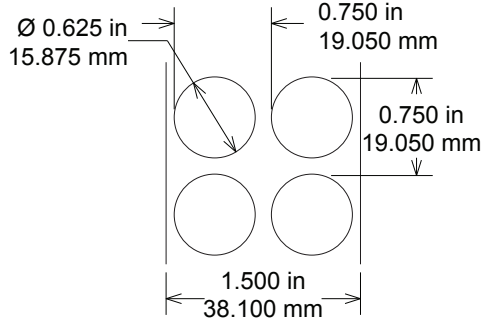


Figure: R6

Edge Trim: 0.0625 in, 1.5875 mm

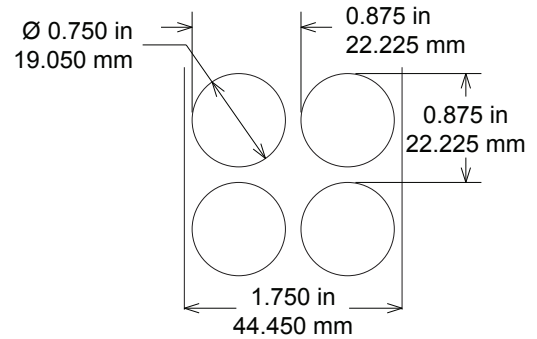


Figure: R7

Edge Trim: 0.0625 in, 1.5875 mm

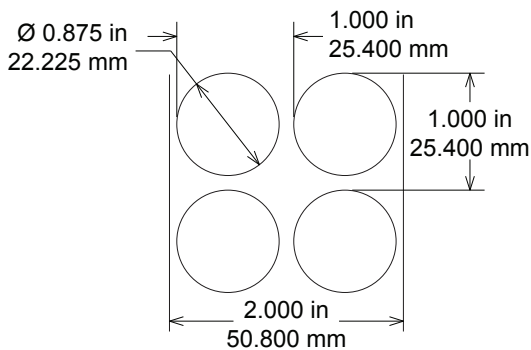


Figure: R8

Edge Trim: 0.0625 in, 1.5875 mm

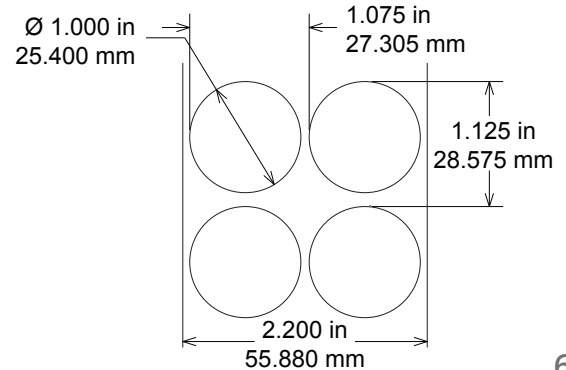
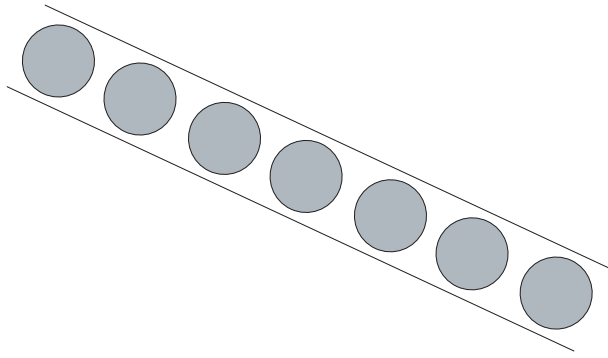


Figure: AR1



Edge Trim: 0.1000 in, 2.5400 mm

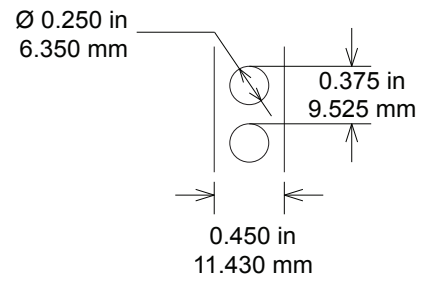


Figure: AR2

Edge Trim: 0.0625 in, 1.5875 mm

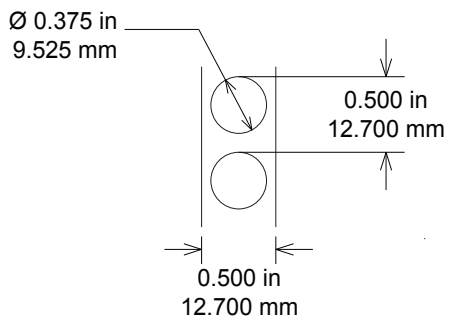


Figure: AR3

Edge Trim: 0.0625 in, 1.5875 mm

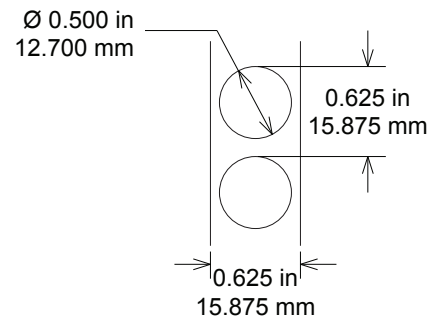


Figure: AR4

Edge Trim: 0.0625 in, 1.5875 mm

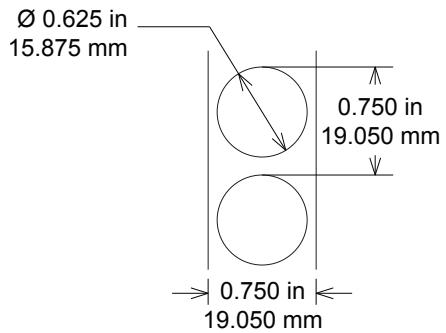


Figure: AR5

Edge Trim: 0.0625 in, 1.5875 mm

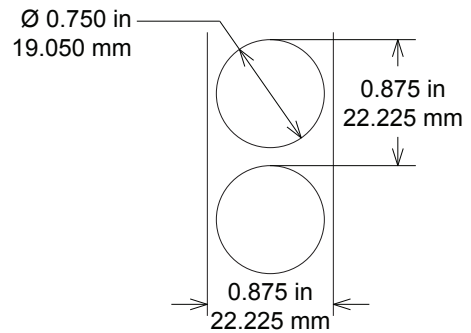


Figure: AR6

Edge Trim: 0.0625 in, 1.5875 mm

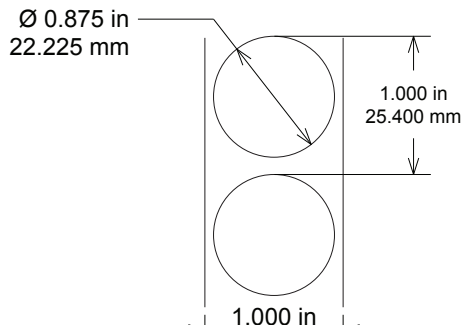


Figure: AR7

Edge Trim: 0.0625 in, 1.5875 mm

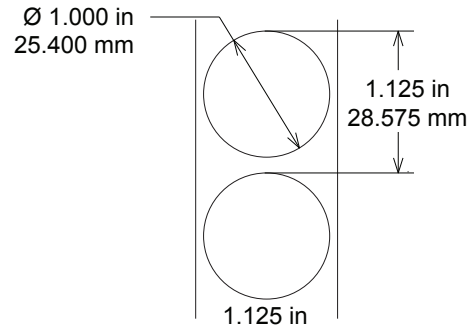


Figure: S1

Edge Trim: 0.0625 in, 1.5875 mm

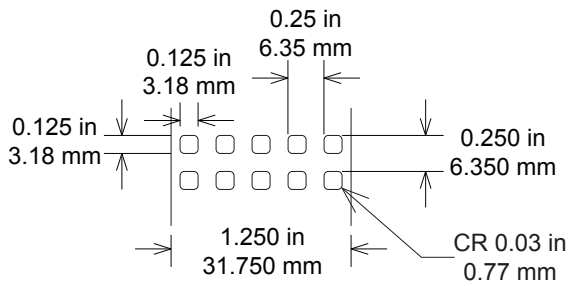


Figure: S2

Edge Trim: 0.0625 in, 1.5875 mm

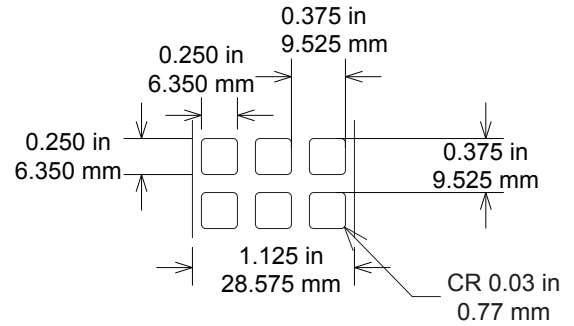


Figure: S3

Edge Trim: 0.0625 in, 1.5875 mm

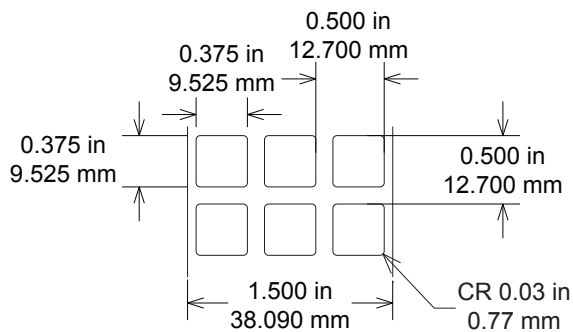


Figure: S4

Edge Trim: 0.0625 in, 1.5875 mm

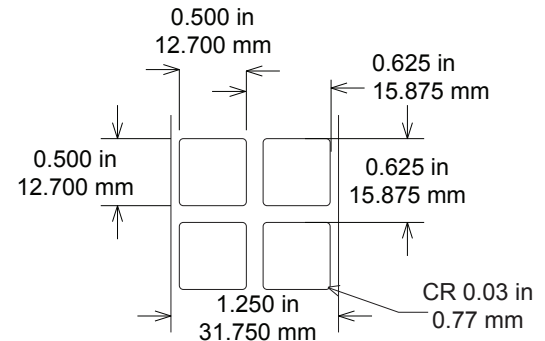


Figure: S5

Edge Trim: 0.0625 in, 1.5875 mm

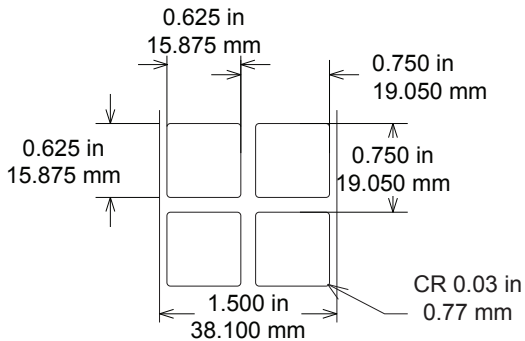


Figure: S6

Edge Trim: 0.0625 in, 1.5875 mm

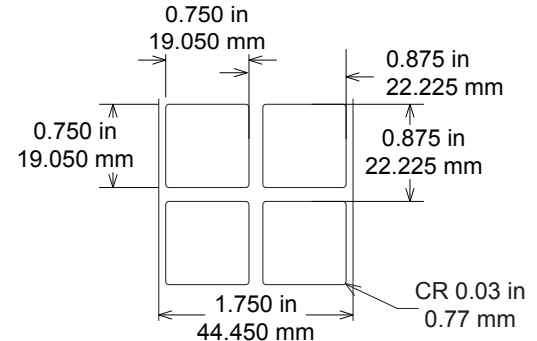


Figure: S7

Edge Trim: 0.0625 in, 1.5875 mm

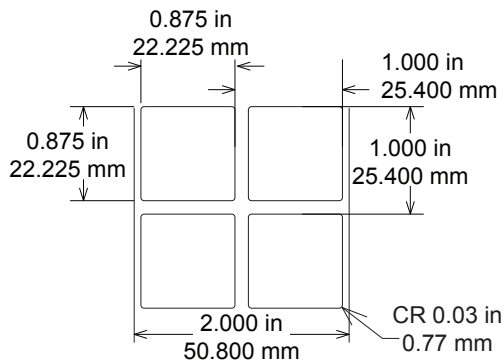


Figure: S8

Edge Trim: 0.0625 in, 1.5875 mm

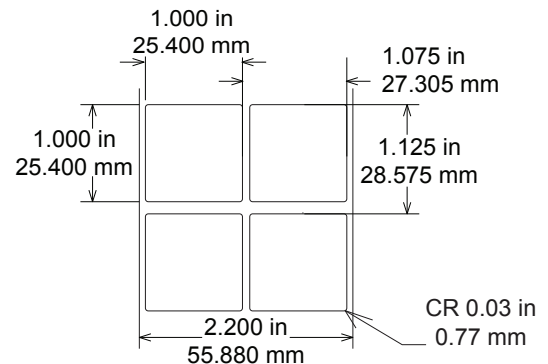
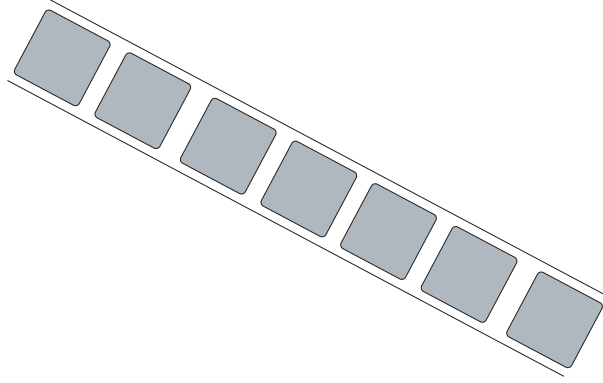


Figure: AS1



Edge Trim: 0.1000 in, 2.5400 mm

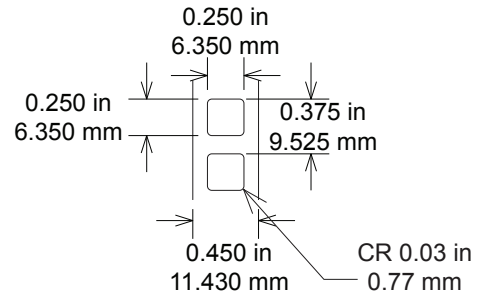


Figure: AS2

Edge Trim: 0.0625 in, 1.5875 mm

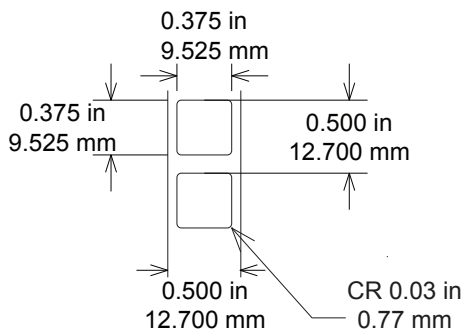


Figure: AS3

Edge Trim: 0.0625 in, 1.5875 mm

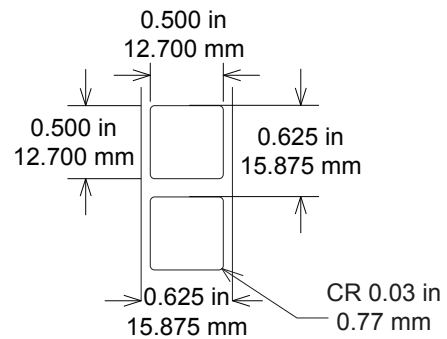


Figure: AS4

Edge Trim: 0.0625 in, 1.5875 mm

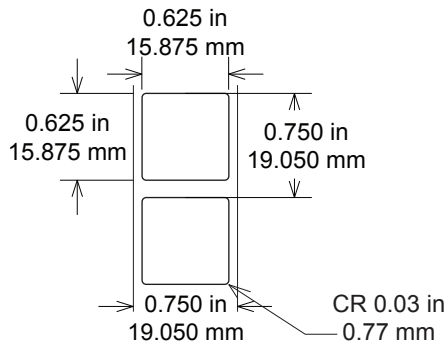


Figure: AS5

Edge Trim: 0.0625 in, 1.5875 mm

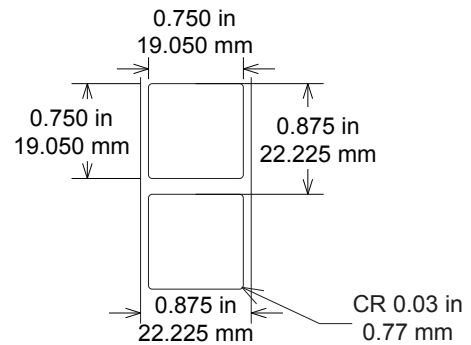


Figure: AS6

Edge Trim: 0.0625 in, 1.5875 mm

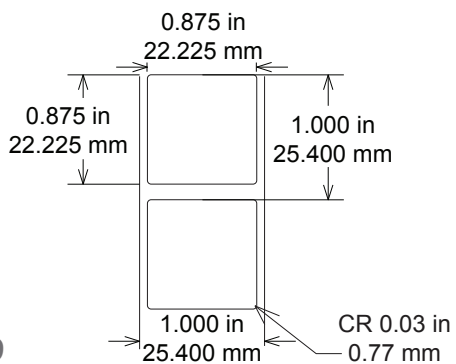
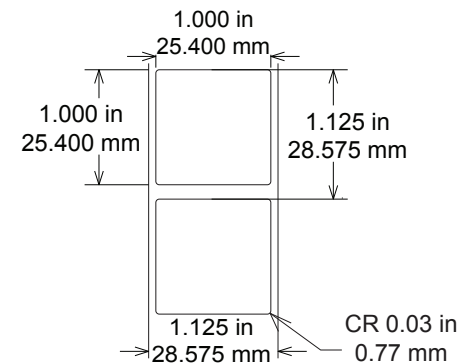


Figure: AS7

Edge Trim: 0.0625 in, 1.5875 mm



ASSUME QUALITY, EXPECT PERFECTION.

HIGHEST QUALITY GLOBAL PRODUCTION

With IDENTCO quality-control safeguards we are able to ensure consistent, accurate production globally. To achieve this, we use the same equipment, materials, inks, and procedures in all of our facilities. So no matter where we produce your labels, they look and perform the same every time.

All of our locations are able to meet the same branding, performance, and regulatory specifications. We provide excellent color-matching capabilities and accuracy, as well as a fully-equipped testing laboratory with superior quality control processes. It's just another way IDENTCO can ensure our customers consistent success.

QUALITY MANAGEMENT SYSTEMS



ISO-CERTIFIED Quality Management System

ISO 9001 - QUALITY MANAGEMENT STANDARD
TS 16949 - AUTOMOTIVE MANAGEMENT STANDARD
ISO 14001 - ENVIRONMENTAL MANAGEMENT STANDARD

AGENCY RECOGNITIONS



UL: UNDERWRITERS LABORATORIES
UL-Authorized Label Supplier Program
UL-Recognized Label and Ribbon Combinations

CSA: CANADIAN STANDARDS ASSOCIATION



CENTER OF EXCELLENCE

• • • NOTES • • •

A large rectangular area filled with a grid of dashed lines, intended for taking notes. The grid consists of 20 columns and 30 rows of small squares.



Labels for Life.

www.identco.com

**UNITED STATES
HEADQUARTERS**

28164 W. Concrete Drive
Ingleside, IL 60041
Phone: +1 (815) 385 - 0011
Fax +1 (815) 385 - 0359

**MEXICO
MONTERREY**

Carr. a Laredo Km. 16.5 Interior
14B, Col. Moisés Sáenz, 66613
Apodaca, Nuevo Leon
Phone: +52 (81) 8008 - 0438

**GERMANY
FRANKFURT**

Güterbahnhofstrasse 3-7
63450 Hanau
Phone: +49 (6181) 440 830 - 0
Fax: +49 (6181) 440 830 - 99

**PRC
HONG KONG**

Unit 1708, 17/F, 9 Wing Hong St.
Cheung Sha Wan, Kowloon
Phone: +852 2959 2156
Fax: +852 2959 2019

**MALAYSIA
PENANG**

Suite 163E, Level 16, Room 1602
Hunza Tower Gurney Paragon
Jalan Kelawei, Georgetown
10250 Penang
Phone: +6012 466 - 0866